

4

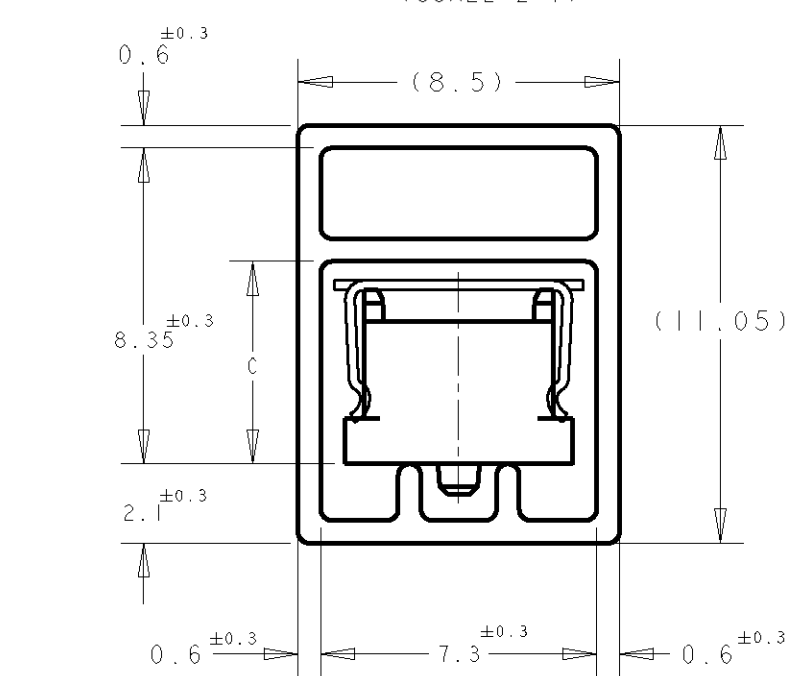
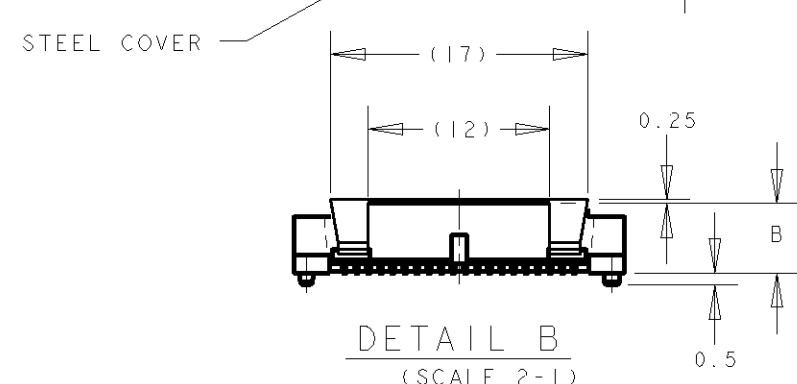
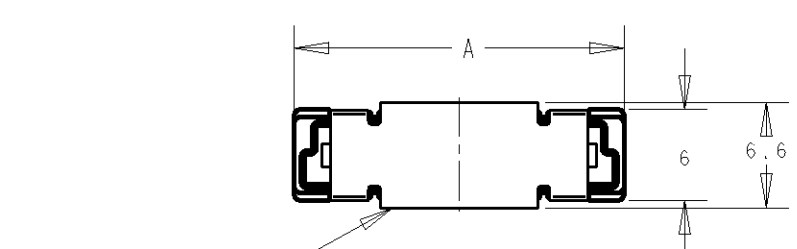
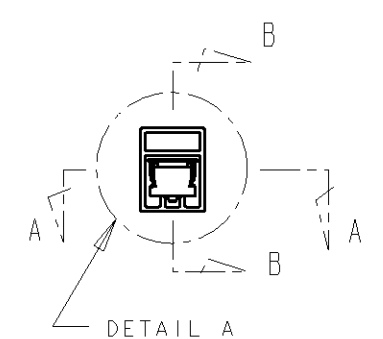
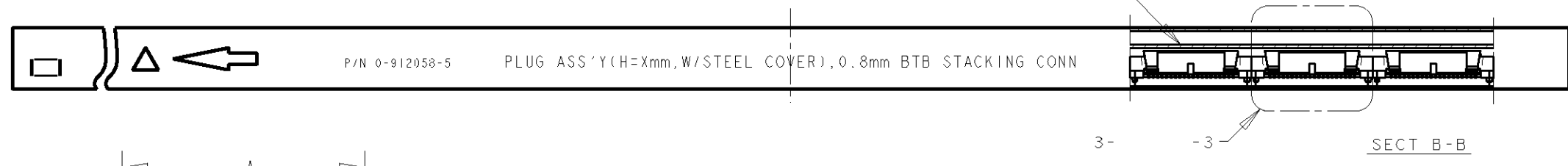
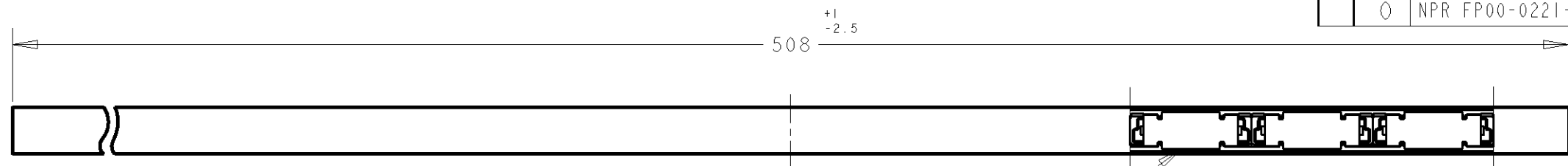
3

2

1

THIS DRAWING IS UNPUBLISHED. RELEASED FOR PUBLICATION .19 .
 BY AMP INCORPORATED. ALL RIGHTS RESERVED.

LOC	DIST	REVISIONS					
DY	-	P	LTR	DESCRIPTION	DATE	DWN	APVD
				0 NPR FP00-0221-04	03SEP04	FTAN	LSF



DETAIL B
(SCALE 2-1)

DETAIL A
(SCALE 5-1)

QTY	HEIGHT TYPE	C	B	A	CONN P/N	POS.	PART NO.	QTY	HEIGHT TYPE	C	B	A	CONN P/N	POS.	PART NO.	
5				85.8	1-	-0	200	7-					85.8	1-	-0	200
6				77.8		-9	180	6-					77.8		-9	180
6				69.8		-8	160	6-					69.8		-8	160
7				61.8		-6	140	6-					61.8		-6	140
9				53.8		-5	120	6-					53.8		-5	120
10				45.8		-4	100	6-					45.8		-4	100
12				37.8		-3	80	6-					37.8		-3	80
16				29.8		-2	60	6-					29.8		-2	60
22	8H	8.35	7.6	21.8	5179031-1		40	6-5179230-1	22	6H	6.35	5.6	21.8	5179029-1	40	2-5179230-1
5				85.8	1-	-0	200	5-					85.8	1-	-0	200
6				77.8		-9	180	4-					77.8		-9	180
6				69.8		-8	160	4-					69.8		-8	160
7				61.8		-6	140	4-					61.8		-6	140
9				53.8		-5	120	4-					53.8		-5	120
10				45.8		-4	100	4-					45.8		-4	100
12				37.8		-3	80	4-					37.8		-3	80
16				29.8		-2	60	4-					29.8		-2	60
22	7H	7.35	6.6	21.8	5179030-1		40	4-5179230-1	22	5H	5.35	4.6	21.8	5177984-1	40	5179230-1

THIS DRAWING IS A CONTROLLED DOCUMENT FOR AMP INCORPORATED. IT IS SUBJECT TO CHANGE AND THE CONTROLLING ENGINEERING ORGANIZATION SHOULD BE CONTACTED FOR THE LATEST REVISION.

DWN 03SEP04 FLORENCE TAN
 CHK ERIC TNG
 APVD SF JONG
 PRODUCT SPEC -
 APPLICATION SPEC -
 WEIGHT -

tyco Electronics Tyco Electronics (Singapore) Pte. Ltd.
 NAME PLUG ASSY WITH STEEL COVER (TUBE PACK) FH 0.8mm PITCH B-T-B CONNECTOR
 SIZE A3 CAGE CODE 00779 DRAWING NO C-5179230

CUSTOMER DRAWING SCALE 1:1 SHEET 1 OF 1 REV 0